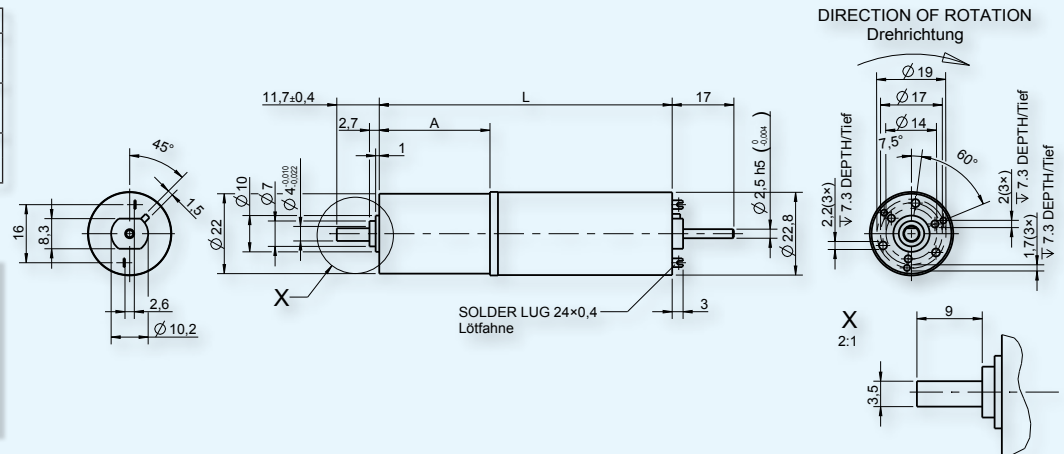


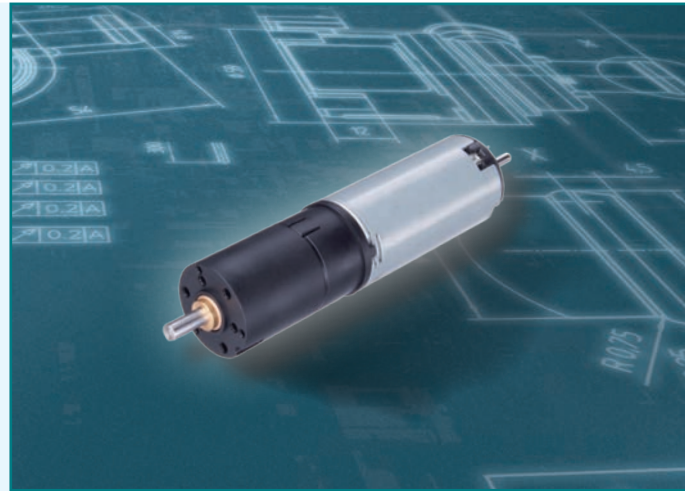
| Gearbox Type | Gear Motor Type | A | L |
|---------------------|--------------------------------------|------|------|
| 2-stage 2-stufig | 1.61.117.310-311 1.61.111.360-361 | 27.6 | 75.6 |
| 3-stage 3-stufig | 1.61.117.312-314 1.61.117.362-364 | 32.7 | 80.7 |
| 4-stage 4-stufig | 1.61.117.315-318 1.61.117.365-368 | 37.8 | 85.8 |

Gear Motor
22 x 75 / 80 / 85
1.61.117.3XX



■ Type / Baureihe 1.61.117.XXX

| XXX | Characteristics* / Nenndaten* | | | | No load characteristics* / Leerlaufdaten* | | Features* / Kenndaten* | | | Stages Stufen |
|-----|----------------------------------|----------------------------|--------------------------------------|--|--|-----------------------------------|---|---|---|------------------|
| | Rated voltage Nennspannung | Rated current Nennstrom | Rated torque Nenn Drehmoment | Rated speed Nenn-drehzahl | No load speed Leerlauf-drehzahl | No load current Leerlauf-strom | max. Torque max. Drehmoment | Terminal resistance Anschluss-widerstand | Gear ratio Unter-setzungs-verhältnis | |
| | U/V / V | I _N / A | T _N /M _N / Ncm | n _N / rpm/min ⁻¹ | n ₀ / rpm/min ⁻¹ | I ₀ / A | T _{max} /M _{max} /Ncm | R / Ohm | i | |
| 310 | 12 | 0.720 | 15 | 202 | 301 | 0.200 | 30 | 6.7 | 19.2 | 2 |
| 311 | 12 | 0.660 | 20 | 144 | 203 | 0.200 | 30 | 6.7 | 28.4 | 2 |
| 312 | 12 | 0.580 | 35 | 64 | 82 | 0.200 | 60 | 6.7 | 69.1 | 3 |
| 313 | 12 | 0.490 | 40 | 47 | 55.5 | 0.200 | 60 | 6.7 | 102 | 3 |
| 314 | 12 | 0.380 | 40 | 34 | 37.5 | 0.200 | 60 | 6.7 | 152 | 3 |
| 315 | 12 | 0.360 | 45 | 21 | 22.5 | 0.200 | 80 | 6.7 | 249 | 4 |
| 316 | 12 | 0.320 | 50 | 15 | 15 | 0.200 | 80 | 6.7 | 369 | 4 |
| 317 | 12 | 0.290 | 60 | 10 | 10 | 0.200 | 80 | 6.7 | 546 | 4 |
| 318 | 12 | 0.260 | 65 | 7.0 | 7.0 | 0.200 | 80 | 6.7 | 809 | 4 |
| 360 | 24 | 0.360 | 15 | 202 | 311 | 0.100 | 30 | 27 | 19.2 | 2 |
| 361 | 24 | 0.330 | 20 | 144 | 210 | 0.100 | 30 | 27 | 28.4 | 2 |
| 362 | 24 | 0.290 | 35 | 64 | 85 | 0.100 | 60 | 27 | 69.1 | 3 |
| 363 | 24 | 0.240 | 40 | 47 | 57.5 | 0.100 | 60 | 27 | 102 | 3 |
| 364 | 24 | 0.190 | 40 | 34 | 39 | 0.100 | 60 | 27 | 152 | 3 |
| 365 | 24 | 0.180 | 45 | 21 | 23 | 0.100 | 80 | 27 | 249 | 4 |
| 366 | 24 | 0.150 | 50 | 15 | 15.5 | 0.100 | 80 | 27 | 369 | 4 |
| 367 | 24 | 0.140 | 60 | 10 | 10.5 | 0.100 | 80 | 27 | 546 | 4 |
| 368 | 24 | 0.130 | 65 | 7.0 | 7.0 | 0.100 | 80 | 27 | 809 | 4 |



| Design | |
|-------------------------|--|
| Gear housing | Plastic |
| Commutator | Copper / 3-segments |
| RFI protection | Suppression disk; 2 capacitors |
| Insulation class | Winding F, otherwise A |
| Protection class | IP20 |
| Commutation | Carbon brushes |
| Armature | straight slot |
| Magnet system | Permanent magnets, 2-pole |
| Motor bearings | 2 sintered bronze bearings |
| Motor housing | Steel, corrosion protected |
| Motor end shields | brush end plastic, drive end zinc die-cast |
| Planetary gear | Plastic gears |
| Life expectancy** | up to 600 h |
| Weight | 90 - 100 g |
| Axial play output shaft | 0.05 - 0.6 mm |

| Aufbau | |
|--------------------------|--|
| Getriebegehäuse | Kunststoff |
| Kollektor | Kupfer / 3-teilig |
| Grundentstörung | Entstörscheibe; 2 Kondensatoren |
| Isolierstoffklasse | Wicklung F, ansonsten A |
| Schutzart | IP 20 |
| Kommutierung | Kohlebürsten |
| Anker | gerade Nut |
| Magnetsystem | Permanentmagnete, 2-polig |
| Motorlager | 2 ölgetränkte Sinterbronzelager |
| Motorgehäuse | Stahl, korrosionsgeschützt |
| Motorlagerschilde | kollektorseitig Kunststoff, abtriebsseitig Zinkdruckguss |
| Planetengeräte | Zahnräder aus Kunststoff |
| Lebensdauer** | bis 600 h |
| Gewicht | 90 - 100 g |
| Axialspiel Abtriebswelle | 0.05 - 0.6 mm |

| Operational conditions* | Einsatzbedingungen* | | | |
|--|--------------------------------------|----------------|----|-----------|
| Temperature range*** | Temperaturbereich*** | T | °C | -10 - +70 |
| Axial force | Axialkraft | F _A | N | 8 |
| Radial force, 5 mm from mounting surface | Radialkraft, 5 mm ab Anschraubfläche | F _R | N | 15 |

* at 25 °C

** depending on the operating conditions

*** extended temperature range on request

* bezogen auf 25 °C

** abhängig von den Einsatzbedingungen

*** erweiterter Temperaturbereich auf Anfrage